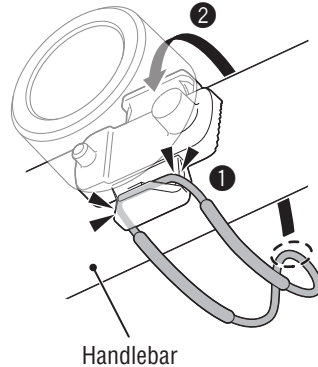
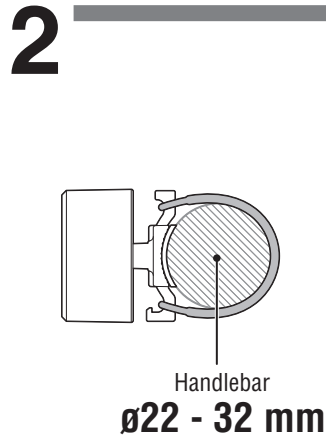
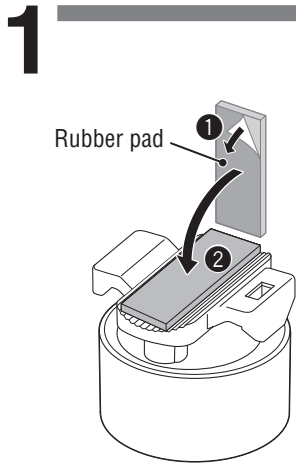


Before using the product, please thoroughly read this manual and keep it for future reference.

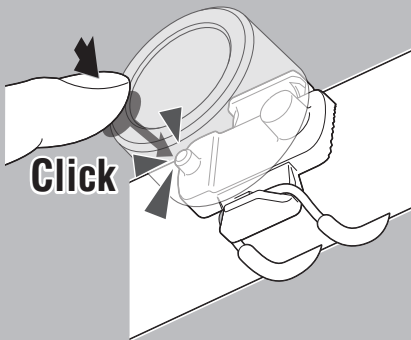
CAUTION!

- If a child swallows a battery, consult a doctor immediately.
- Please make sure the light is completely closed, as to avoid compromising the water resistant capability of the light.
- Stop your bicycle to operate the switch.
- Keep the light away from children.
- Do not misplace the plus or minus sides of the batteries.
- Please do not mix new and old batteries.



HOW TO USE

The light will turn on in the lighting mode previously selected.



Press and hold

ON ↔ OFF

Click

Lighting mode switch

Rapid

Constant

Approx.
70 h

Approx.
15 h

Pulse

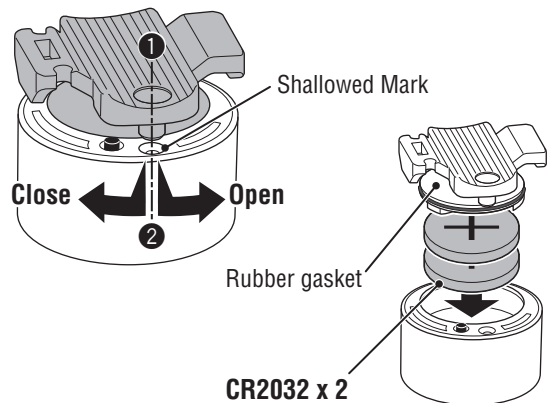
Flash

Approx.
70 h

Approx.
80 h

REPLACING THE BATTERY

- 1 Align the battery cover with the shallowed mark.
- 2 Press the battery cover into the battery compartment securely. Then turn and lock.



SPECIFICATIONS

Battery

Lithium battery (CR2032) x 2

Operating time

Rapid : Approx. 70 hours

Pulse : Approx. 70 hours

Flash : Approx. 80 hours

Constant : Approx. 15 hours

* Average runtime at 20°C.

* Life of factory-installed battery may be shorter than indicated above.

Temperature range

14°F – 104°F (-10°C – 40°C)

Dimensions/weight

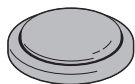
1-13/64" x 1-13/64" x 1-1/16" (30.6 x 30.6 x 26.9 mm) / 0.71 oz (20 g) (Including batteries)

* The specifications and design are subject to change without notice.

SPARE/OPTIONAL PARTS



5441620
Rubber band



CR2032

1665150
Lithium battery

LIMITED WARRANTY

2-year Warranty: Light unit only

CatEye products are warranted to be free of defects from materials and workmanship for a period of 2 years from original purchase. If the product fails to work during normal use, CatEye will repair or replace the defect at no charge. Service must be performed by CatEye or an authorized retailer. To return the product, pack it carefully and enclose the warranty certificate (proof of purchase) with instruction for repair. Please write or type your name and address clearly on the warranty certificate. Insurance, handling and transportation charges to CatEye shall be borne by person desiring service. For UK and REPUBLIC OF IRELAND consumers, please return to the place of purchase. This does not affect your statutory rights.

Please register your CatEye product on the website.
<http://www.cateye.com/en/support/regist/>

CATEYE CO., LTD.

2-8-25, Kuwazu, Higashi
Sumiyoshi-ku, Osaka 546-0041 Japan
Attn: CATEYE Customer Service
Section
Phone : (06)6719-6863
Fax : (06)6719-6033
E-mail : support@cateye.co.jp
URL : <http://www.cateye.com>

[For US Customers]
CATEYE AMERICA, INC.
2825 Wilderness Place Suite 1200,
Boulder CO 80301-5494 USA
Phone : 303.443.4595
Toll Free : 800.5.CATEYE
Fax : 303.473.0006
E-mail : service@cateye.com