



# SYNC CORE™

CatEyeSYNC™ Compatible  
Rechargeable Headlight

## HL-NW100RC Manual

Information in the instruction manual is subject to change without notice.

HLNW100RC-181106 2

## Introduction

---

## How to Charge

---

## How to Mount to a Bicycle

---

## Switch Operation

---

## Appendix

---

CatEyeSYNC™ Manual  
\* Firmware Update

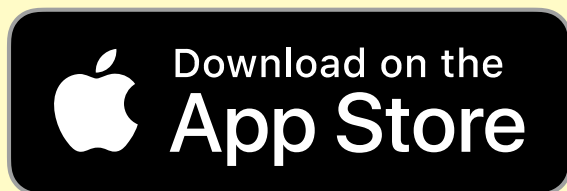


# Install CatEyeSYNC™

SYNCCore™ is capable of the following when used with the CatEyeSYNC™ smartphone app.

- **Synchronize on/off operations with other CatEyeSYNC™-compatible lights**
- **Check connection status and battery information of other paired CatEyeSYNC™-compatible lights, through the indicator on the SYNCCore™**
- **Configure light settings, check remaining battery level, and receive notifications via the app**

If using an iPhone

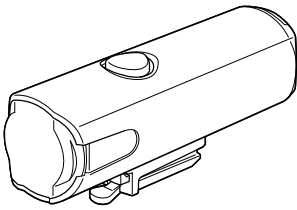


If using an Android smartphone

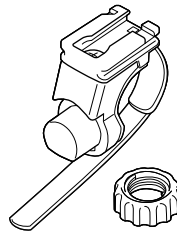


- \* Downloading and using the app incurs communication fees. A Wi-Fi connection is recommended.
- \* For the latest information on compatible smartphones, see [“CatEyeSYNC™ Compatible Devices”](#).
- \* This manual describes how to perform operations using the light only. For information on operations using CatEyeSYNC™, refer to the [“CatEyeSYNC™ instruction manual”](#).
- \* Pairing with CatEyeSYNC™ is required to synchronize the lights.

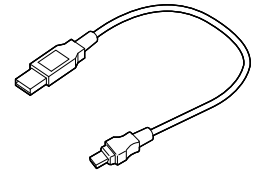
# Checking package contents



Light unit



FlexTight™ bracket  
(H-34N)



USB cable  
(MICRO USB)

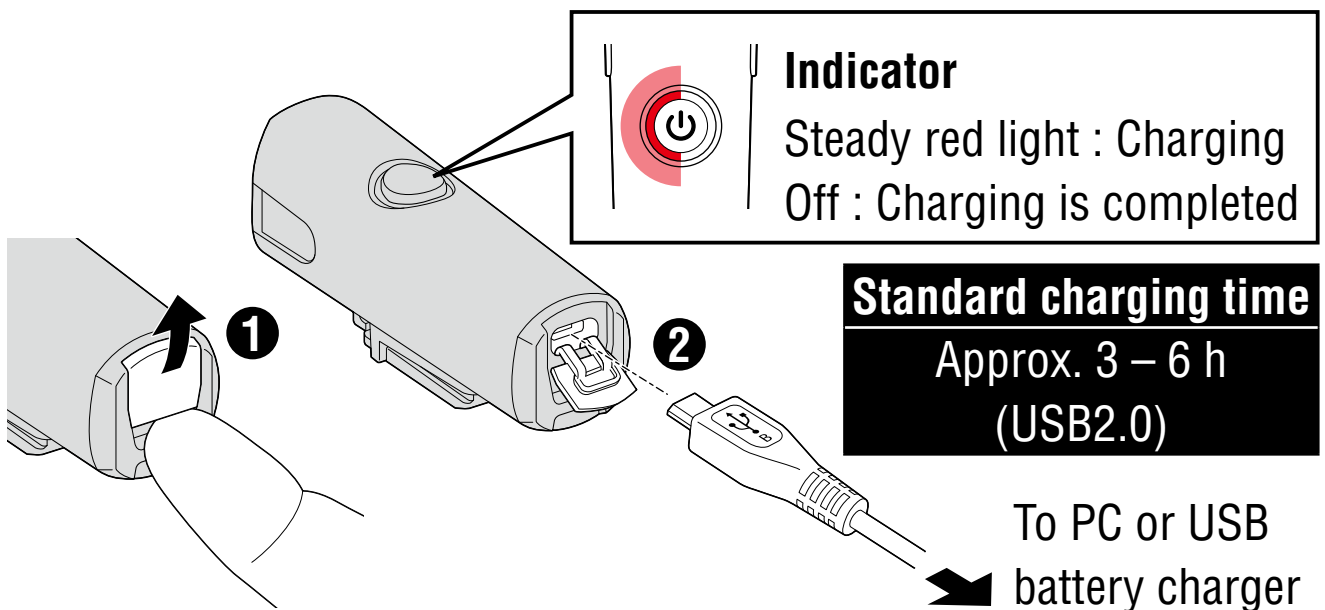
## ! Before Initial Use

This unit is shipped with small charge to check the light. Be sure to charge it before use, according to the instructions [“How to Charge” \(Page 3\)](#) and [“Cautions on recharging” \(Page 8\)](#).

## How to Charge

### 1. Connect the light unit to your PC or a commercial USB battery charger using the USB cable.

The indicator turns on and charging starts.



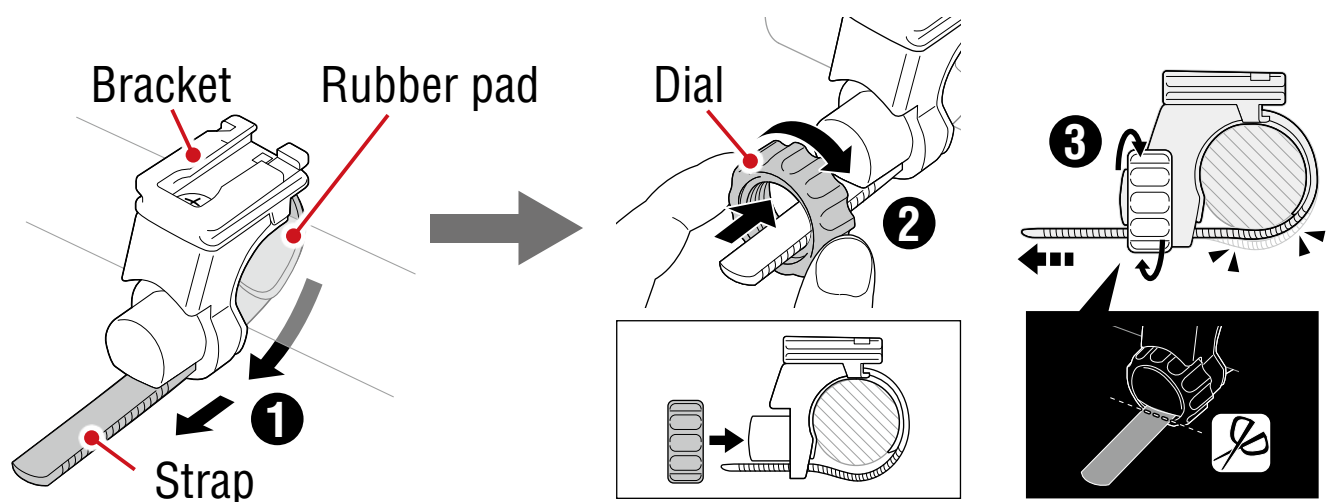
- \* When your PC is in sleep state, the unit cannot be charged.
- \* Use a USB battery charger of 500mAh (USB2.0) or more. The cartridge can be fast-charged with high capacity USB battery charger.

## 2. Once charging is complete, be sure to disconnect the USB plug.

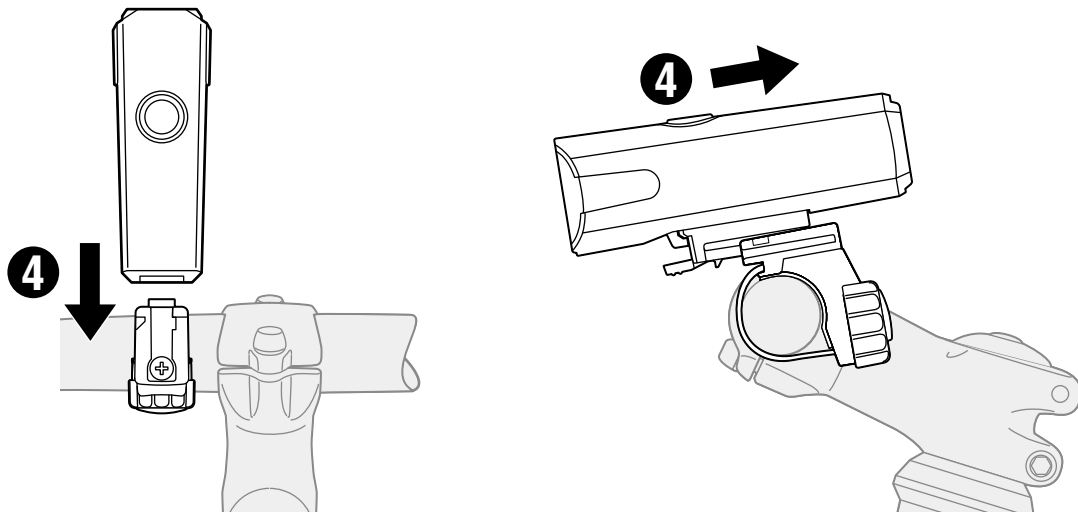
- \* Charging time is approximate values, and will vary depending on the environmental and usage conditions.

# How to Mount to a Bicycle

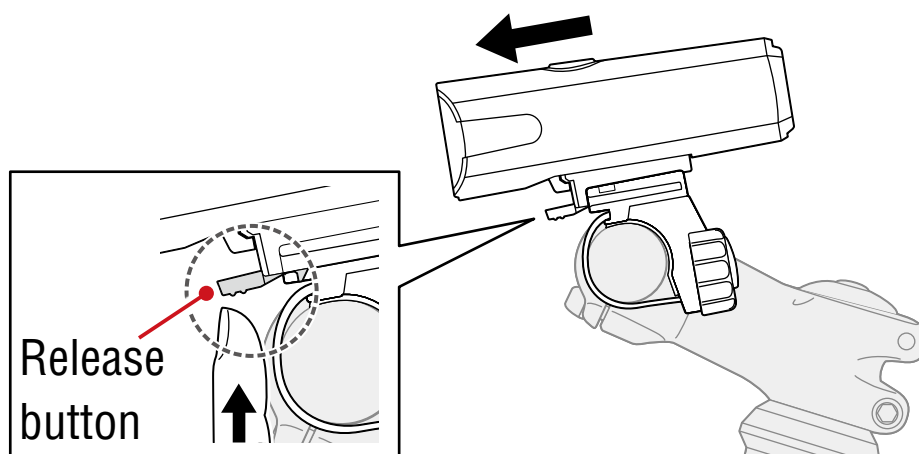
## 1. Mount the bracket to the handlebar.



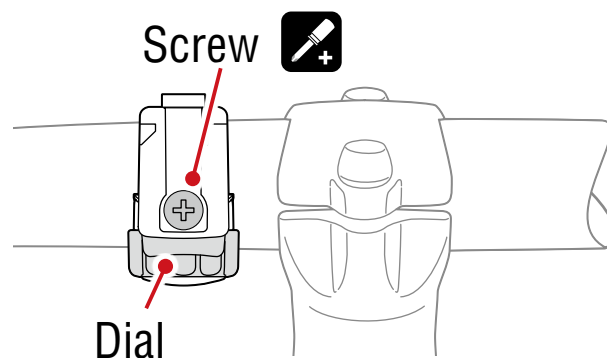
## 2. Insert the light unit into the bracket until it clicks, and adjust the beam angle.



**3. To remove the light unit, pull out it forward while pressing down on the release button.**



\* To readjust the beam angle, loosen the dial and/or the screw enough to move the bracket, and firmly tighten them after adjustment.



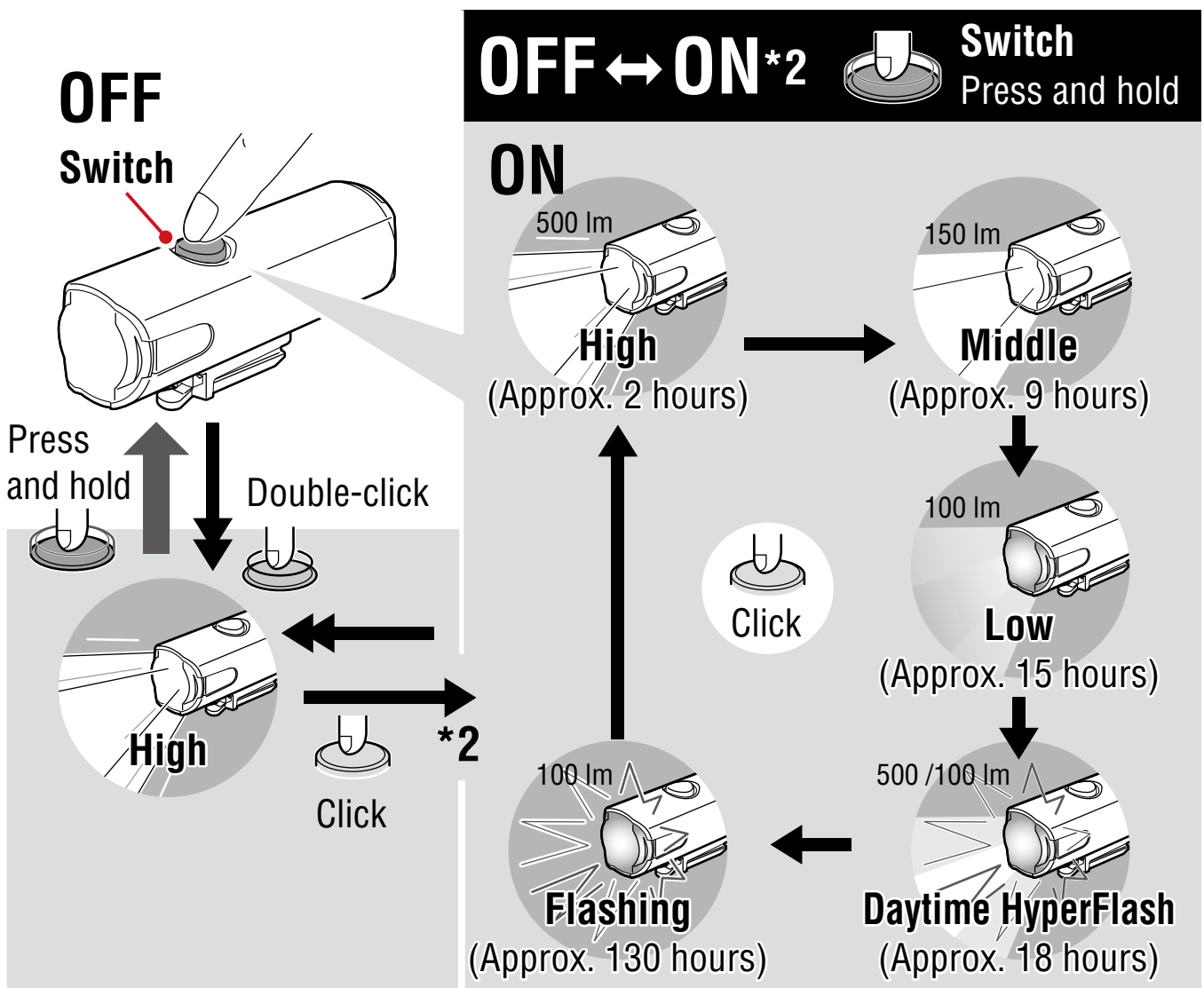
\* The light can be mounted under the handlebar.

## **Caution!**

- Be sure to tighten the dial by hand. When you tighten it too hard with a tool, the screw thread may be stripped.
- Check the dial and screw (\*1) on the bracket periodically, and use them without any loosening.
- Round off the cut edge of the bracket strap to prevent injury.
- Mounting the light unit too close to a wireless computer may adversely affect the reading of the computer.

# Switch Operation

Press the switch to turn the light on/off or to select the mode.

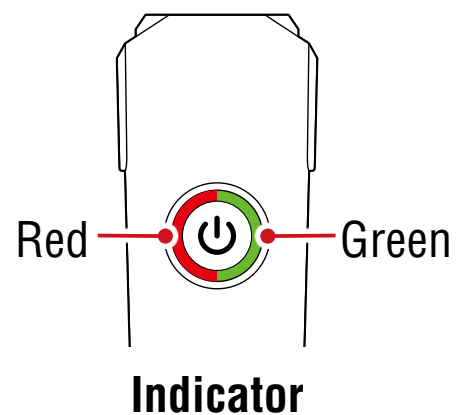


**\*2** When turning the light on, it lights up in the mode that was used last time. (Mode memory function)

## Remaining battery and connection status

The indicator can be used to check the status of the headlight or other lights paired using CatEyeSYNC™.

<b>Flashing red light</b>	The remaining battery power of the light is 20% or less. Charge the light as soon as possible.
<b>OFF</b>	Other lights are disconnected.
<b>Steady green light (*)</b>	At least one other light is currently connected.
<b>Flashing green light (*)</b>	Other light(s) are low in battery.



\* Only when other light(s) are connected.

\* Pairing with CatEyeSYNC™ is required to synchronize the lights.

## Appendix

### **⚠ Warning!!!**

- Be sure to direct the light beam downward so the driver approaching does not get dazzled.
- Before your trip, please make sure the light is firmly mounted to the bracket and it lights up.

- Always attention to the remaining battery power by checking the indicator periodically while using.

## **Caution!**

- Do not place it within children's reach.
- In preparation for unexpected battery shutoff, we recommend you carry a spare light.
- This product is water-resistant under normal daily use and can be used in the rain. However, do not intentionally submerge it in water.
- If the light unit or parts become dirty with mud, etc., clean with a soft cloth which is moistened with mild soap. Never apply paint thinner, benzine or alcohol; damage will result.

## **Lithium-ion batteries**

### **Cautions on recharging**

- Avoid charging in direct sunlight or in a vehicle parked under direct sunlight, and make sure to charge only when the ambient temperature is between 41°F and 104 °F (5 and 40°C).
- Before charging, be sure that no dust or other foreign objects attach to the USB plug.
- Do not subject the light to vibrations while charging.
- Once charging is complete, be sure to disconnect the USB plug.



## **Cautions in use**

- **Charging, discharging, and storing in high temperatures will cause the rechargeable battery to deteriorate faster. Do not place the light inside a vehicle or near a heater.**
- **If the illumination time is significantly reduced even after proper charging, the rechargeable battery may be nearing the end of its service life. Dispose of the battery as described in “Cautions for dispose”.**

## **Cautions on storage**

Cool and dry storage is recommended. For long period storage, it is important to charge the battery 30 minutes every 6 months.

## **Cautions for dispose**

When disposing of the light unit, remove the internal rechargeable battery and dispose of it according to local regulations.

# **Communication**

Interference occurs in the following places and/or environments, which may result in incorrect operation.

- **Near TVs, PCs, radios, or motors or in cars or trains.**
- **Near railroad crossings, along railway tracks, around television transmitting stations and radar bases, etc.**
- **Used with other wireless devices or certain battery-powered lights.**

Frequency Band: 2.4 GHz      Radiated Power: -12.8 dBm

Hereby, CATEYE Co., Ltd. declares that the radio equipment type HL-NW100RC is in compliance with Directive 2014/53/EU.

The full text of the EU declaration of conformity is available at the following internet address: [cateye.com/doc](http://cateye.com/doc)

This device complies with Industry Canada's RSS-210. Operation is subject to the condition that this device must not cause harmful interference and must accept any interference, including interference that may cause undesired operation of the device.

## Firmware

If a new SYNCCore™ firmware version is available, a notification from the CatEyeSYNC™ smartphone app will be displayed.

To update the firmware, connect the light to a PC using the included USB cable. For details, see the manual linked in the app or [the instruction manual on our website](#).

## Specifications

Light source	High-intensity LED x 1
Battery	Li-ion 3.6v 2200 mAh
Charge	Micro USB plug

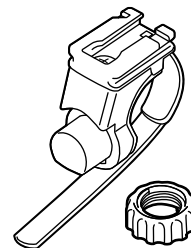
Operating time	High	Approx. 2 hours
	Middle	Approx. 9 hours
	Low	Approx. 15 hours
	Daytime HyperConstant	Approx. 18 hours
	Flashing	Approx. 130 hours
* Average runtime at 20°C.		
Standard charging time	Approx. 3 – 6 hours	
Temperature range	Charging : 41°F – 104°F (5°C – 40°C) Operating : 14°F – 104°F (-10°C – 40°C)	
Recharge/discharge number of times	About 300 times (until the rated capacity drops to 70%)	
Dimensions/weight	1-41/64" x 1-5/16" x 3-11/16" (41.5 x 33.5 x 93.5 mm) / 3.32 oz (94 g)	

\* The specifications and design are subject to change without notice.

## Spare / optional parts

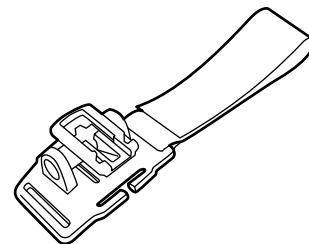
### 5338827N

FlexTight™ bracket  
(H-34N)



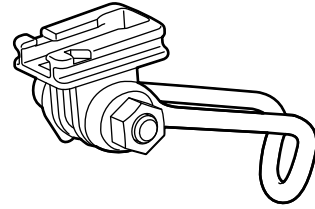
### 5341831N

Helmet mount



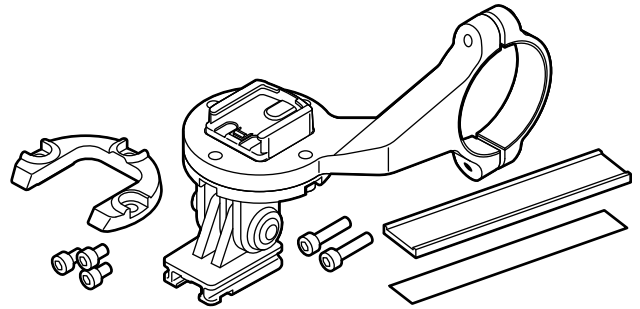
## 5342440

Center fork bracket  
(CFB-100)



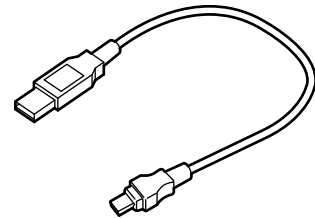
## 1604110

Out-front bracket 2  
(OF-200)



## 5342730

USB cable  
(MICRO USB)



## Limited warranty

### 2-year Warranty :

### Light unit only (excludes battery deterioration)

CatEye products are warranted to be free of defects from materials and workmanship for a period of 2 years from original purchase. If the product fails to work during normal use, CatEye will repair or replace the defect at no charge. Service must be performed by CatEye or an authorized retailer. To return the product, pack it carefully and enclose the warranty certificate (proof of purchase) with instruction for repair. Please write or type your name and address clearly on the warranty certificate. Insurance, handling and transportation charges to CatEye shall be borne by person desiring service.

For UK and REPUBLIC OF IRELAND consumers, please return to the place of purchase. This does not affect your statutory rights.

## **CATEYE CO., LTD.**

2-8-25, Kuwazu, Higashi Sumiyoshi-ku, Osaka 546-0041 Japan

Attn: CATEYE Customer Service

Phone : (06)6719-6863

Fax : (06)6719-6033

E-mail : support@cateye.co.jp URL : <https://www.cateye.com>

### **[For US Customers]**

## **CATEYE AMERICA, INC.**

2825 Wilderness Place Suite 1200, Boulder CO 80301-5494 USA

Phone : 303.443.4595

Toll Free : 800.5.CATEYE

Fax : 303.473.0006

E-mail : service@cateye.com