



RECHARGEABLE HEADLIGHT VOLT1600™

ENG

HL-EL1010RC
Manual



Before using the light, please read this manual and the included separate sheet "LITHIUM-ION / LITHIUM-ION POLYMER BATTERIES" thoroughly, and keep them for future reference.

Copyright© 2017 CATEYE Co., Ltd.
EL1010RC-170203 2



⚠ WARNING!!! / CAUTION!

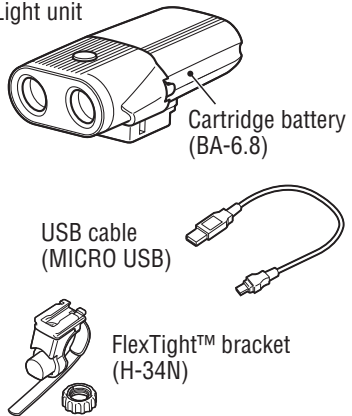
- This light emits an extremely powerful beam equivalent to automobile headlight so it may cause a hazardous situation depending on the beam angle used. Be sure to direct the light beam downward so the driver approaching does not get dazzled.
- Before your trip, please make sure the light is firmly mounted to the bracket, it lights up, and the light is not blocked by baggage, etc.
- Do not stare at the light when it is illuminating. Otherwise it may damage your eyesight.
- Do not place it within children's reach.
- Always attention to the remaining battery power by checking the indicator periodically while using.
- In preparation for unexpected battery shutoff, we recommend you carry a spare light.

- Mounting the light unit too close to a wireless computer may adversely affect the reading of the computer.
- This product is water-resistant under normal daily use and can be used in the rain. However, do not intentionally submerge it in water.
- If the light unit or parts become dirty with mud, etc., clean with a soft cloth which is moistened with mild soap. Never apply paint thinner, benzine or alcohol; damage will result.
- Dispose of used cartridge batteries appropriately according to local regulations.

ⓘ Before Initial Use

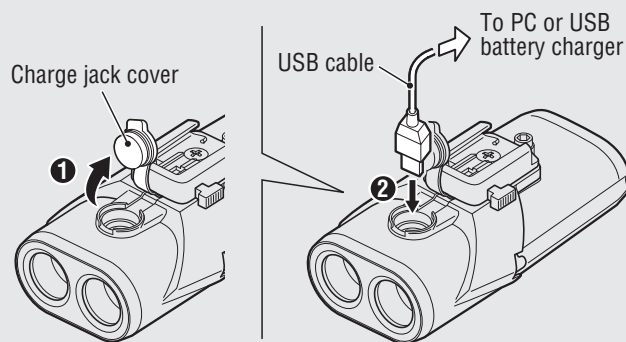
This unit is shipped with a small charge to check the light. Be sure to charge it before use, according to the instructions "HOW TO CHARGE".

Light unit



1 HOW TO CHARGE

Standard charging time Approx. 9 – 18 h



1. Connect the light unit to your PC or a commercial USB battery charger using the USB cable. (1 – 2). The switch lights up, and charging starts.

Switch button light	On	Charging
	Slow flash	Fast charging
	Off	Charging is completed
	Fast flash	Charging error

* When your PC is in sleep state, the unit cannot be charged.

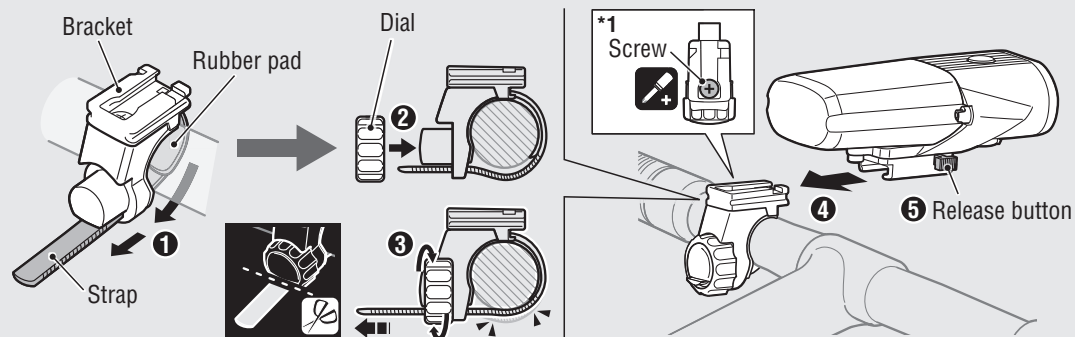
* Use a USB battery charger of 500mAh (USB2.0) or more. The cartridge can be fast-charged with high capacity USB battery charger.

2. After charging is completed, remove the USB cable, and install the charge jack cover.

* The battery charges to about 80% after approximately 12 hours.

* Charging and lighting times are approximate values, and will vary by environmental and user conditions.

2 HOW TO MOUNT TO A BICYCLE



1. Mount the bracket to the handlebar. (1 – 3)
2. Insert the light unit into the bracket until it clicks, and adjust the beam angle. (4)

3. To remove the light unit, pull it out forward while pressing down on the release button (5).

ⓘ Beam angle adjustment

Turn on the light on a smooth road at night, and loosen the dial slightly to move the bracket. Adjust the beam angle so it does not direct to a driver approaching and then tighten the dial firmly to fix the bracket.



CAUTION!:

- Be sure to tighten the dial by hand. When you tighten it too hard with a tool, the screw thread may be stripped.
- Check the dial and screw (*1) on the bracket periodically, and use them without any loosening.
- Round off the cut edge of the bracket strap to prevent injury.

3 SWITCH OPERATION (SWITCHING THE LIGHTING MODE)

WARNING!!!: Do not use this light on a public road.

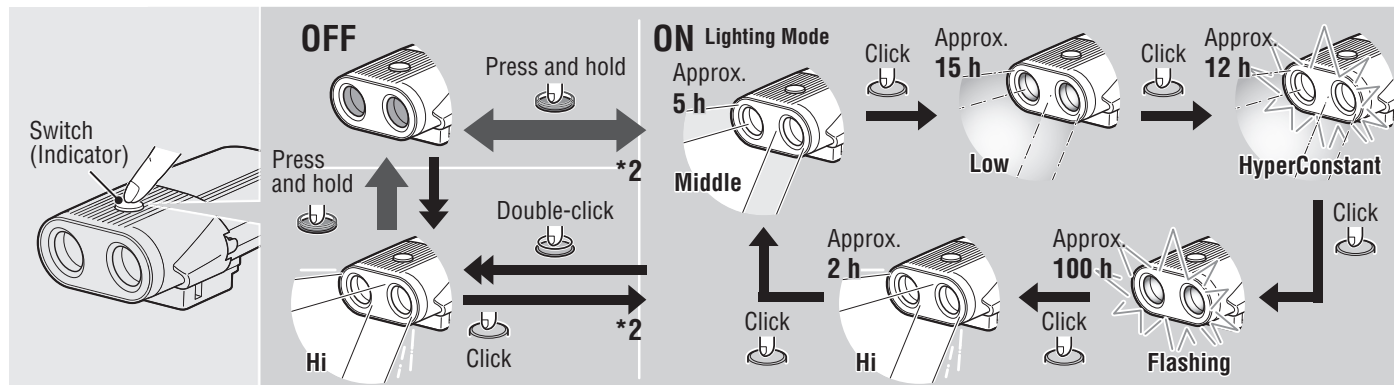
The ON/OFF and lighting modes are selected using a switch.

*2 When you turn the light on, it lights up in the last lighting mode you used. (Mode memory function)

* The light unit may get hot depending on the condition the light is used in but it is not a malfunction. When it gets hot, protection circuit activates and it automatically lowers brightness level. One it is cooled down, the light recovers the previous brightness level.

Remaining battery capacity

When the switch lights up, there is little remaining battery power.

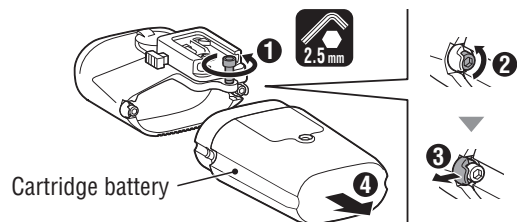


4 HOW TO REPLACE THE CARTRIDGE BATTERY

Remove the cartridge battery according to the procedure.

(1 - 4)

To install the cartridge, reverse the procedure.



CAUTION!:

- When the operating time decreases significantly, the battery life is close to an end. Replace the cartridge battery with a new one.
- When you store the cartridge battery alone, be sure to install the cap. Otherwise, damage or a fire may be caused by short circuit.

SPECIFICATIONS

Light source	High-intensity LED x 2
Cartridge battery	Li-ion 3.6v 6800 mAh
Charge	Micro USB plug
Operating time	Hi : Approx. 2 hours
	Middle : Approx. 5 hours
	Low : Approx. 15 hours
	HyperConstant : Approx. 12 hours
	Flashing : Approx. 100 hours
	* Average runtime at 20°C.
Standard charging time	Approx. 9 - 18 hours
Temperature range	Charging : 41°F - 104°F (5°C - 40°C)
	Operating : 14°F - 104°F (-10°C - 40°C)
Recharge/discharge number of times	About 300 times (until the rated capacity drops to 70%)
Dimensions/weight	4-17/32" x 1-47/64" x 2-11/32" (114.9 x 44.2 x 59.6 mm) / 9.17 oz (260 g) (Including the cartridge battery)

*The specifications and design are subject to change without notice.

LIMITED WARRANTY

2-year Warranty: Light unit only

(Deterioration of the cartridge battery is out of warranty)

CatEye products are warranted to be free of defects from materials and workmanship for a period of 2 years from original purchase. If the product fails to work during normal use, CatEye will repair or replace the defect at no charge. Service must be performed by CatEye or an authorized retailer. To return the product, pack it carefully and enclose the warranty certificate (proof of purchase) with instruction for repair. Please write or type your name and address clearly on the warranty certificate. Insurance, handling and transportation charges to CatEye shall be borne by person desiring service.

For UK and REPUBLIC OF IRELAND consumers, please return to the place of purchase. This does not affect your statutory rights.

Please register your CatEye product on the website.
<http://www.cateye.com/en/support/regist/>

CATEYE CO.,LTD.

2-8-25, Kuwazu, Higashi Sumiyoshi-ku,
Osaka 546-0041 Japan
Attn: CATEYE Customer Service Section
Phone: (06)6719-6863
Fax: (06)6719-6033
E-mail: support@cateye.co.jp
URL: <http://www.cateye.com>

[For US Customers]

CATEYE AMERICA, INC.
2825 Wilderness Place Suite 1200,
Boulder CO 80301-5494 USA
Phone: 303.443.4595
Toll Free: 800.5.CATEYE
Fax: 303.473.0006
E-mail: service@cateye.com

SPARE/OPTIONAL PARTS

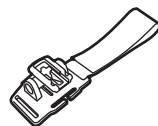
5338827N

FlexTight™ bracket
(H-34N)



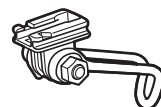
5341831N

Helmet mount



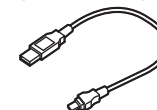
5342440

Center fork bracket
(CFB-100)



5342730

USB cable
(MICRO USB)



5342611

Cartridge battery
(Li-ion 3.6v 6800mAh: BA-6.8)

