



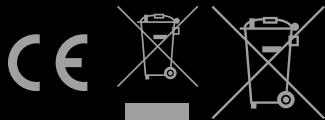
# RECHARGEABLE HEADLIGHT

# **AMPP200™ II**

MODEL : HL-EL044RC

For your safety, please be sure to read the entire manual carefully and use the product correctly. Please keep the manual in a safe place where you can refer to it at any time. If the product is to be used by a child, the guardian should read the user manual and explain the safety instructions. This product is designed assuming use by bicycle.

HLEL044RCENG-260608 1.1



CATEYE will continue to contribute to society by creating new values in "Safety," "Health," and "Environment". CATEYE supports the Sustainable Development Goals movement proposed by the United Nations.

The USB cable is not included in the package because CATEYE is committed to making environmentally friendly and resource-saving products.

## COVER

## CONTENTS

PART NAMES AND PACKAGE CONTENTS →  
HOW TO CHARGE →

SWITCH OPERATION →  
HOW TO MOUNT TO A BICYCLE →

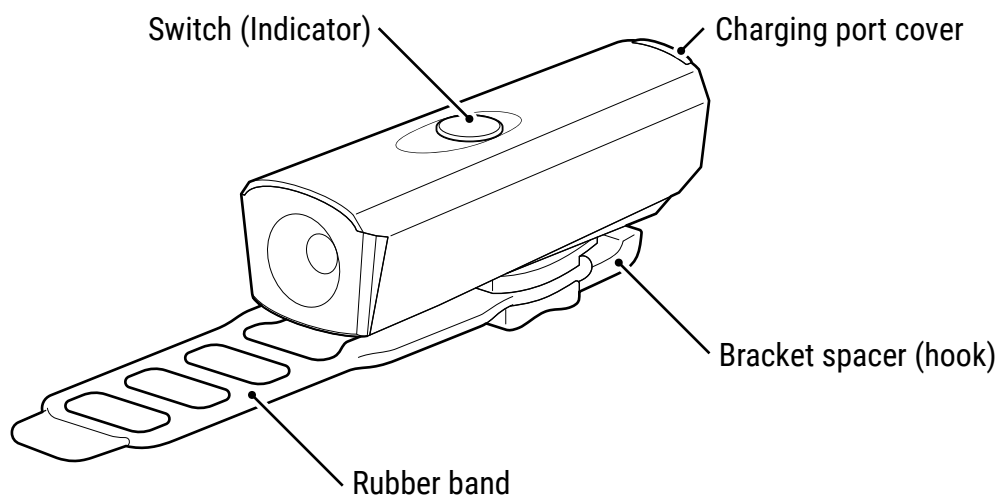
DANGER / WARNING / CAUTION /  
DISPOSAL INSTRUCTIONS →  
BATTERY REPLACEMENT

SPECIFICATIONS  
STANDARD ACCESSORIES / →  
OPTIONAL ACCESSORIES

REGULATORY INFORMATION →  
LIMITED WARRANTY

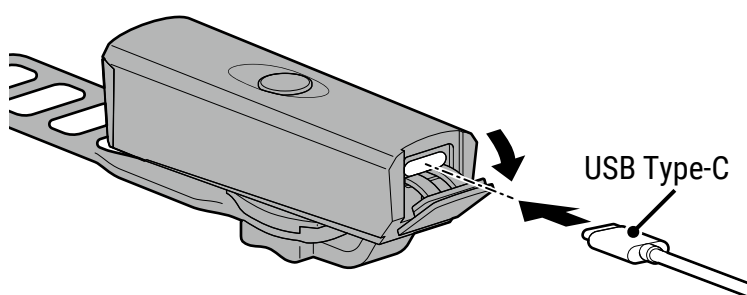
# PART NAMES AND PACKAGE CONTENTS

## Light unit



## HOW TO CHARGE

❗ Before using the product, refer to the “**⚠ DANGER / WARNING / CAUTION**” (page 4) section and charge the battery.



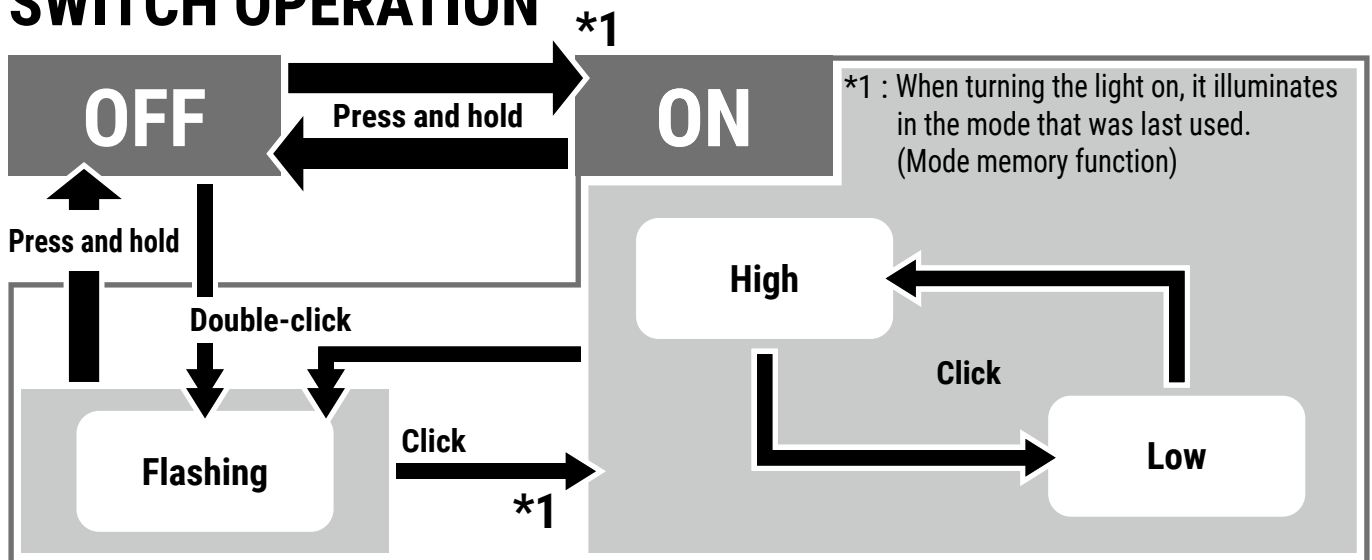
\* Please prepare a USB cable (Type-C) that can be used for charging (sold separately) before using this product.

\* This unit is shipped with small charge to check the light.

Indicator	Constant red light	Off
Charging status	Charging	Charging is completed

**Charging time : Approx. 3.5 hours (0.5 A)**

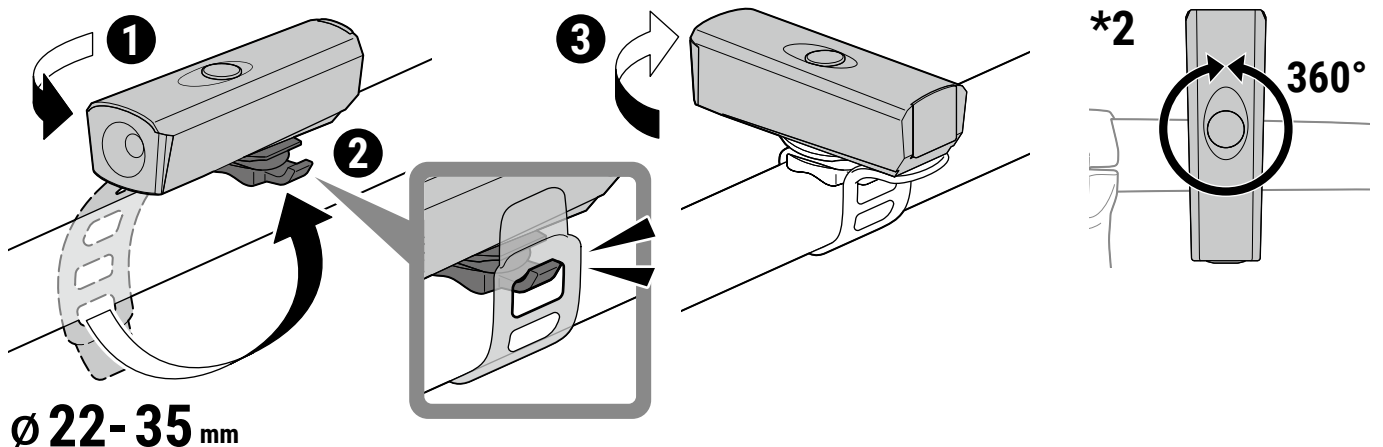
# SWITCH OPERATION



## Remaining battery capacity

If the indicator turns red, charge the product as soon as possible.

## HOW TO MOUNT TO A BICYCLE



1 Turn the light unit 90 degrees (perpendicular to rubber band), and attach the headlight to the handlebar.

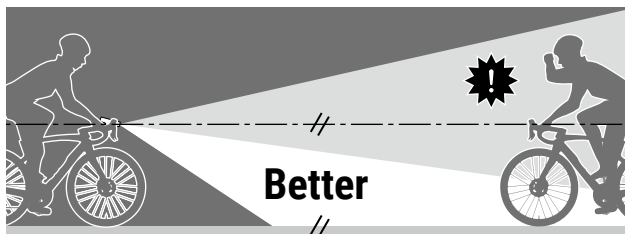
\* When used with a cyclocomputer, attach the headlight as far away from the cyclocomputer as possible, as it may affect measurement.

2 Pull the rubber band tight and secure it to the hook on the bracket spacer so that the light unit is not loose.

\* Please adjust the vertical angle before securing the light fixture.

3 Turn the light unit back toward the direction of travel.

\*2 : The light unit can be turned 360 degrees.



When mounting the light unit, ensure that the light will not dazzle other road users.

## **DANGER!!!**

- Using or storing the battery in high temperatures will accelerate its degradation. Do not place the product inside a vehicle or near a heater.
- Please make sure to charge in an environment between 5°C and 40°C.
- Do not subject the product to strong vibrations, impacts, or excessive force.
- Do not charge the product, insert or remove the USB plug, or replace the battery with wet hands or a wet product.
- Do not charge or use the battery at any voltage or polarity other than that specified. Do not short-circuit the battery.
- Keep the product out of reach of children.
- Do not disassemble or modify the product or any of the included items. Also, do not use damaged products or parts.
- Do not place the product in fire or heat it.
- If you notice any abnormalities, stop using the product immediately.
- For your safety, please replace the batteries only after they are completely discharged. \*3

## **WARNING!!**

- Do not look directly at the light source. Please make sure to adjust the headlights downward to avoid blinding oncoming drivers and ensure they illuminate the road surface.
- Before riding, for safety reasons, please make sure that the light is securely mounted in a position where it does not block the beam and that it lights up properly.
- Please check the indicator and brightness regularly and always keep an eye on the battery level.
- Please be sure that no dust or other foreign objects are attached to the plug of the USB cable before charging. Once charging is completed, be sure to disconnect the USB cable from the charging port.
- If rechargeable batteries are left unused for a long period of time, their voltage will drop and their performance will deteriorate. If the product will not be used for a long period, store it in not too hot or not too humid. Please charge it for approximately 30 minutes every 6 months.
- When removing the battery, please be careful not to damage it, drop it, apply strong impact, or cut the cables. \*3

## **CAUTION!**

- To maintain the waterproof performance, make sure the cover of the battery compartment and the charging port should be securely closed. Also, make sure to wipe off any moisture thoroughly after using the product in the rain.
- To prevent damage to the product, do not apply excessive force to the charging port.
- Charging and lighting times are approximate and may vary depending on the usage environment.
- If the illumination time is significantly reduced even after charging, it may be due to the battery's degradation and end of its service life.
- When removing or installing batteries, please be careful not to injure your finger. \*3
- If the battery is leaking, do not touch the leaked liquid. If you accidentally come into contact with leaked battery fluid, wash it off immediately with running water. \*3

## **DISPOSAL INSTRUCTIONS**

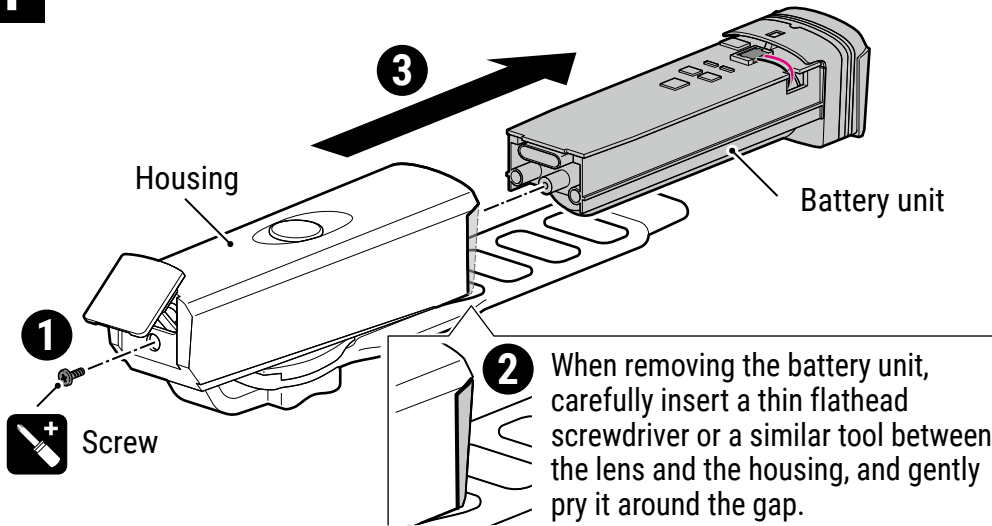
When disposing the light unit, please do so in accordance with your local regulations.

\*3 : For EU battery regulation.

# BATTERY REPLACEMENT (For EU battery regulation)

**!** Lithium-ion rechargeable batteries may explode or catch fire if not handled properly. For details, please refer to “**! DANGER / WARNING / CAUTION**” (page 4).

**1** Remove the screw and detach the housing from the battery unit.



**!** **Regarding battery replacement**

Please replace the battery correctly according to this manual. Failure to do so may result in unexpected injury, malfunction, or a decrease in water resistance.

Also, please use genuine parts. For genuine parts, please contact your dealer.

**!** **Battery replacement precautions**

For your safety, please replace the batteries only after they are completely discharged.

**!** **Tool usage precautions**

When using tools, please be careful not to damage components.

**!** **Precautions when handling electronic components**

Do not touch the electrical parts on the top surface of the battery unit, as this may cause a malfunction.

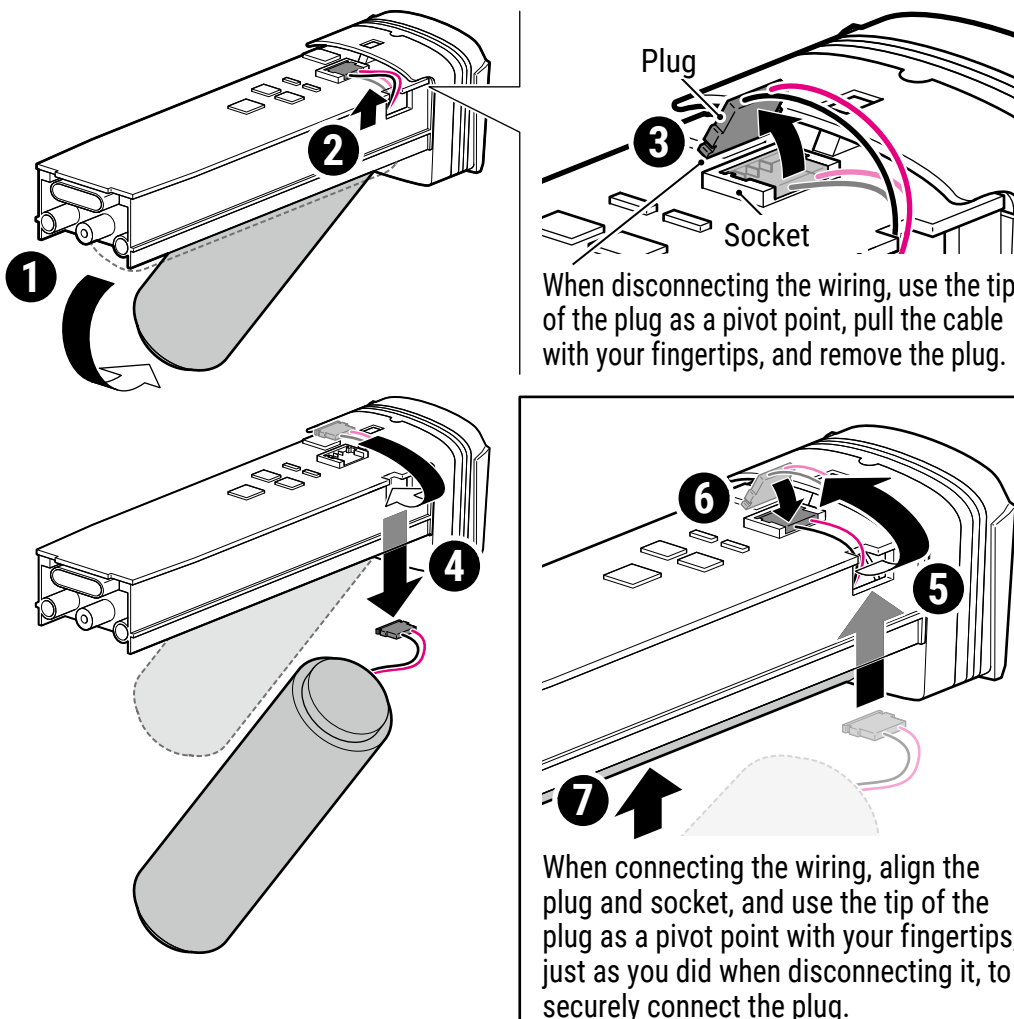
**!** **Battery installation and removal precautions**

When disconnecting battery wiring, please be careful not to damage the cables. When installing the battery, please be careful to insert it in the correct orientation to avoid short circuits.

**!** **Do not use after dropping or impact**

Do not drop the battery or subject it to strong impact. Do not use the battery if it has been dropped or subjected to impact.

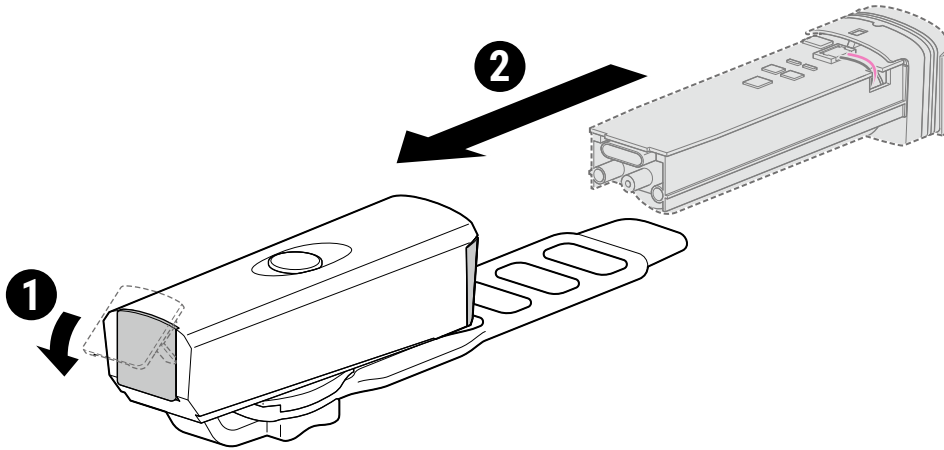
**2** Move the battery away from the USB port to create slack in the cable, disconnect the wiring, and then remove the old battery. Install the new battery only after reconnecting the wiring.



When disconnecting the wiring, use the tip of the plug as a pivot point, pull the cable with your fingertips, and remove the plug.

When connecting the wiring, align the plug and socket, and use the tip of the plug as a pivot point with your fingertips, just as you did when disconnecting it, to securely connect the plug.

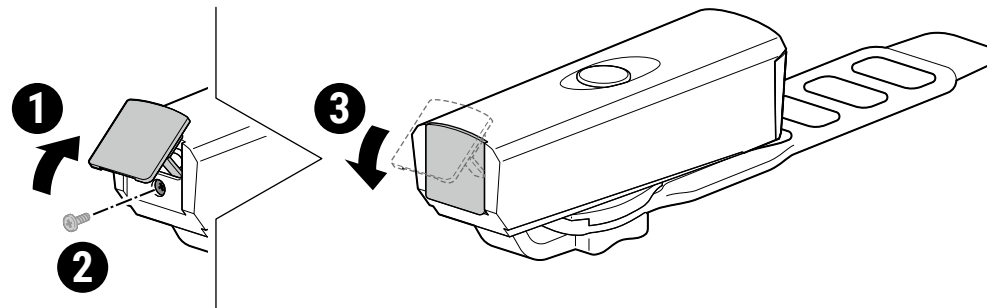
**3** Insert the charging port cover securely before attaching the battery unit to the housing.



**⚠ Precautions During Installation**

When installing the battery unit, be careful not to damage the cables. Also, the charging port cover may become misaligned when the battery unit is installed. If this happens, remove the battery unit and repeat the installation process.

**4** Open the charging port cover and securely fasten the screws. Then, push the charging port cover all the way in until it clicks into place.



# SPECIFICATIONS

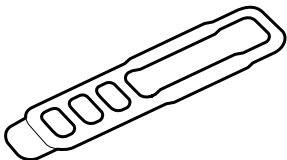
<b>Light source</b>	LED x 1
<b>Battery type</b>	Li-ion 3.7 V 1000 mAh
<b>Charge terminal</b>	USB Type-C
<b>Operating time</b> *4	High : Approx. 3 hours Low : Approx. 14 hours Flashing : Approx. 60 hours
<b>Charging time</b>	Approx. 3.5 hours (0.5 A)
<b>Charge voltage</b>	5 V
<b>Temperature range</b>	Charging : 41°F – 104°F (5°C – 40°C) , Operating : 14°F – 104°F (-10°C – 40°C)
<b>Waterproof</b>	IPX 4
<b>Recharge / discharge number of times</b>	About 300 times (until the rated capacity drops to 70%)
<b>Dimensions / Weight</b>	1-1/16" x 3-11/32" x 1-13/32" (27 x 85 x 36 mm) (Excluding rubber band) / 2.19 oz (62 g)

\*4 : Approximate average runtime at 68°F (20°C).

\* The specifications and design are subject to change without notice.

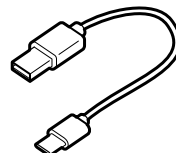
## STANDARD ACCESSORIES

**5343570 Rubber band**



## OPTIONAL ACCESSORIES

**5342550 USB cable**  
(Type-A ↔ Type-C)



\* To prevent accidents and malfunctions, use only genuine parts for installation.

# REGULATORY INFORMATION

This device complies with Part 15 of the FCC Rules. Operation is subject to the following two conditions:

- (1) This device may not cause harmful interference, and
- (2) This device must accept any interference received, including interference that may cause undesired operation.

This equipment has been tested and found to comply with the limits for a Class B digital device, pursuant to part 15 of the FCC Rules. These limits are designed to provide reasonable protection against harmful interference in a residential installation. This equipment generates, uses and can radiate radio frequency energy and, if not installed and used in accordance with the instructions, may cause harmful interference to radio communications. However, there is no guarantee that interference will not occur in a particular installation. If this equipment does cause harmful interference to radio or television reception, which can be determined by turning the equipment off and on, the user is encouraged to try to correct the interference by one or more of the following measures:

- Reorient or relocate the receiving antenna.
- Increase the separation between the equipment and receiver.
- Connect the equipment into an outlet on a circuit different from that to which the receiver is connected.
- Consult the dealer or an experienced radio/TV technician for help.

CAN ICES-3(B)/NMB-3(B)

## LIMITED WARRANTY

### **2-year Warranty: Light unit only (excludes battery deterioration)**

CatEye products are warranted to be free of defects from materials and workmanship for a period of 2 years from the original purchase date.

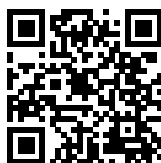
If the product fails to work during normal use, CatEye or an authorized retailer will repair or replace the product at no charge (proof of purchase is required.)

Please note that even if the product is within the warranty period, it may not be covered by the warranty depending on the condition of the product and the conditions of use.

## **CATEYE CO., LTD.**

2-8-25, KUWAZU, HIGASHI SUMIYOSHI-KU, OSAKA, JAPAN 546-0041

For inquiries, please visit <https://cateye.com/intl/contact>  
[globalservice@cateye.co.jp](mailto:globalservice@cateye.co.jp)



Contact Form

### **[For US Customers]**

CATEYE AMERICA, INC.

Please visit <https://www.cateyeamerica.com>

Toll Free : 800.5.CATEYE

